



SweetDreams™

Cool Mist Humidifier

Use and Care Manual



- ♥ Transform your child's room with 9 dream inspired images
- ♥ Ultra-Quiet Operation
- ♥ Auto shut-off when empty

This humidifier adds water vapor to the surrounding air helping the user to breathe better. If you have any questions about the operation of your Vicks SweetDreams Cool Mist Humidifier, call our toll-free Consumer Relations line at 1-800-VAPOR-1-2 or e-mail us at Consumerrelations@kaz.com.


IMPORTANT!
READ AND SAVE THESE INSTRUCTIONS

VUL575
Series

Important Safety Instructions

READ AND SAVE THESE IMPORTANT SAFETY INSTRUCTIONS BEFORE USING THIS HUMIDIFIER

WHEN USING ELECTRICAL APPLIANCES, BASIC PRECAUTIONS SHOULD ALWAYS BE FOLLOWED TO REDUCE THE RISK OF FIRE, ELECTRICAL SHOCK AND INJURY TO PEOPLE, INCLUDING THE FOLLOWING:

1. The humidifier should always be placed on a firm, flat, waterproof surface at least four feet (1.2m) away from bedside, 12 inches (30 cm) from the wall and out of reach of patients, children and pets. Be sure the humidifier is in a stable position and the power cord is away from heated surfaces and out of the way to prevent the humidifier from being tipped over.
2. The humidifier should not be left unattended in a closed room since **air could become saturated and leave condensation in front of unit, on walls and furniture.** Leave room door partly open. **Do not** aim Mist Outlet directly at children, walls or furniture.
3. Before using the humidifier, extend the cord and inspect for any signs of damage. **Do not** use the unit if the cord has been damaged. **Do not** operate with power cord coiled or with twist tie in place.
4. The humidifier has a polarized plug (one blade is wider than the other) as a safety feature. This plug will fit into a polarized outlet only one way. If the plug does not fit fully into the outlet, reverse the plug. If it still does not fit, contact a qualified electrician. **Do not** attempt to defeat this safety feature.
5.  **CAUTION:** To avoid fire or shock hazard, plug the humidifier directly into a 120V AC electrical outlet. To avoid risk of fire, shock or personal injury, **do not** use an extension cord or power strip.
6. The humidifier should always be unplugged and emptied when not in operation or while being cleaned. Shut off and unplug humidifier before moving. **Do not** move or tilt humidifier while it is in operation. Plug and unplug unit with dry hands. **Never** pull by cord.
7. **Do not** operate the humidifier without water. Turn off and unplug unit when tank is empty.
8. Humidifier requires regular cleaning. Refer to and follow cleaning instructions.
9. **Do not** operate outdoors; this humidifier is intended for indoor residential use only.
10. **Do not** cover or insert objects into any openings on the unit.
11. **Do not** block intake or output vents.
12. **Do not** attempt to repair or adjust any electrical or mechanical functions on this humidifier. Doing so will void your warranty.
13. **Do not** place in direct sunlight, high temperature areas or near computers or sensitive electronic equipment.
14. **Do not** touch the nebulizer while the unit is plugged in as burns could result.
15. **Do not** touch skin with exposed VapoPad® or place VapoPad® on furniture, fabric, bedding or plastic.
16. **Do not** add any medications (e.g. Kaz Inhalant or Vicks VapoSteam® or oils) into Mist Outlet, Base, Water Reservoir or Water Tank.

SAVE THESE INSTRUCTIONS

Vicks VUL575 SweetDreams Series Cool Mist Humidifier

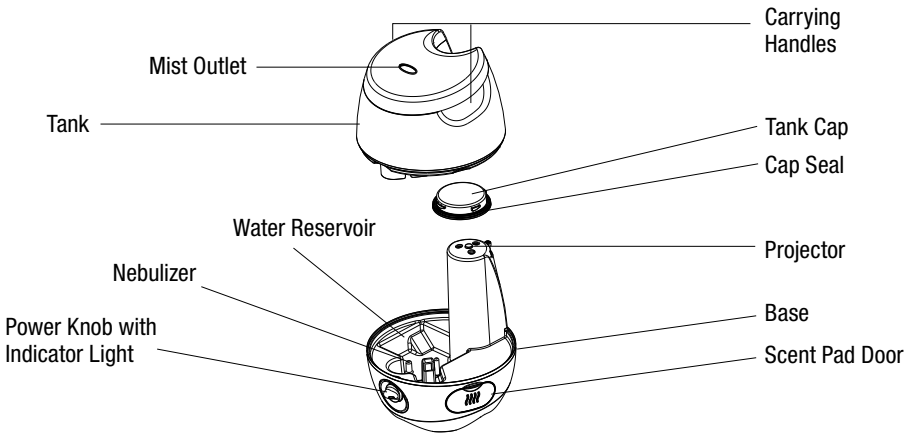


This device complies with Part 18 of the FCC rules.

Warning: Changes or modifications to this unit not expressly approved by the party responsible for compliance could void the user's authority to operate the equipment. This equipment has been tested and found to comply within the limits for Consumer ISM equipment, pursuant to Part 18 of the FCC rules. These limits are designed to provide reasonable protection against harmful interference in a residential installation. This equipment generates, uses and can radiate radio frequency energy, and if not installed and used in accordance with the instructions, may cause harmful interference with radio communications. However, there is no guarantee that interference will not occur in a particular installation. If this equipment does cause harmful interference to radio or television reception, which can be determined by turning the equipment off and on, the user is encouraged to try to correct the interference by one or more of the following measures:

- Reorient or relocate the receiving antenna.
- Increase the separation between equipment and receiver.
- Connect the equipment into an outlet on a circuit different from that to which the receiver is connected.
- Consult the dealer or an experienced radio TV technician for help.

Vicks® VUL575 SweetDreams Series Humidifier



Vicks VUL575 SweetDreams Series Humidifier Accessories

The following optional accessories work great with your humidifier.



Vicks VapoPads

Provides soothing menthol (VSP-19, VSP19FP, VSP19VPC or VSP-19-CAN) or lavender/rosemary (VBR-5, US only) vapors. 8 hours of soothing comfort per pad.

(One Menthol VapoPad Sample Included)



Protec Cleaning Cartridge, PC-1, PC-1C or PC-2

Helps keep your humidifier cleaner, longer. It also continuously cleans and protects humidifiers against bacteria & mold. Keeps cleaning for 30 days.



Protec Demineralization Cartridge, PDC-51 or PDC51-CAN

Helps remove minerals from the water and prevent white dust. Best for areas with hard water and if not using distilled water.



Hygrometer (V70 or V70-CAN)

Displays relative humidity and room temperature so you can maintain a comfortable humidity level in your home. The ideal humidity level is between 40-60%.

Setting Up Your Humidifier



1. Remove packaging materials. **Keep instructions.**
2. Remove twist tie and extend power cord.
3. Place on a firm, level, water resistant surface a minimum of 6 inches (15cm) from any walls.
- 4.

Filling/Refilling

NOTE: Tank should be carried using two hands. One hand using one of the carrying handles located on tank top and other hand supporting the base of the tank.

Kaz will not accept responsibility for property damage caused by water spillage.

1. Remove Tank and turn upside down.
2. Turn Tank Cap in the direction of the open lock symbol to remove cap.
3. Fill Tank with cool water. **Do not** fill with warm or hot water.
4. **Securely** replace Tank Cap, aligning arrow to lock symbol.
5. Place Tank back on Base.



⚠ CAUTION: USE CARE WHEN HANDLING WATER TANK TO AVOID UNNECESSARY IMPACT. BANGING OR DROPPING THE WATER TANK COULD RESULT IN DAMAGE TO THE TANK THAT WILL CAUSE LEAKING.

Operating Humidifier



1. **Power:** With the **Power Knob in the off position**, plug humidifier into a polarized 120V outlet.
⚠ CAUTION: TO AVOID ELECTRIC SHOCK DO NOT PLUG HUMIDIFIER INTO OUTLET WITH WET HANDS.
2. **Output:** Turn the Power Knob clockwise to highest setting.
3. Position humidifier to direct mist output away from walls, furniture and bedding.
4. **Humidity Level:** When a comfortable humidity level is reached turn Power Knob to a lower setting. A comfortable humidity level is between 40-60%.

To monitor your humidity level use a humidity monitor such as the Vicks V70 or V70-CAN model.

If you notice condensation on the walls, windows or around unit, your humidity level is too high. Turn humidifier off.

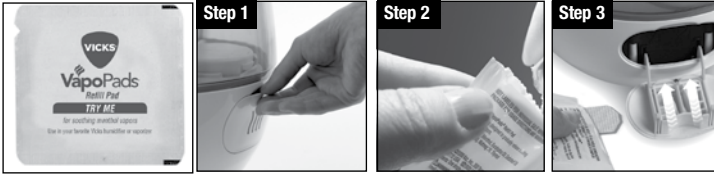
Operating Projector

1. Press the projector button to turn the projector feature on or off.
2. Slide projector switch to desired dream theme icon; elephant (🐘) for safari theme, dolphin (🐬) for sea theme and star (★) for starry night theme.
3. Each theme will cycle through 3 images automatically.
4. The theme can be changed at any time by simply sliding the switch to desired theme's icon.

NOTE: Projector can be operated independent of the humidifier



Using Scent Pads



Your SweetDreams humidifier can be used with Vicks VapoPads®, VSP-19 or VBR-5 series, to provide up to 8 hours of soothing vapors. One free sample of the menthol VapoPad is included with your humidifier.

1. Open Scent Pad Door.
2. Open Scent Pad by tearing notch on pad bag. Do not touch pad with hands. If pad is touched do not rub face or eyes as it may cause irritation.
3. Insert Vicks Scent Pad with angled end facing towards the product. Up to two scented pads can be inserted. Close door.
4. After 8 hours, discard scented pad.

To continue using scented pads, repeat steps 1-4.

VapoPad® Recommended Usage:

- Not recommended for infants under 10 lbs (4.5 kg).
- For children between 10-22 lbs (4.5-10 kg) do not use more than 2 pads in a 24 hr period.

Scent Pad Ingredients: VSP-19, VSP19FP, VSP19VPC, VSP-19-CAN: Eucalyptus Oil, Menthol, Glycol, Cedar Leaf Oil & Others. VBR-5: Glycol, Eucalyptus Oil, Rosemary Oil, Camphor, Lavender 40/42 & others

Water Quality and Your Humidifier

High mineral content in your water, also known as “hard water” may cause a white mineral residue to accumulate on surfaces in the room near the humidifier. This mineral residue is commonly referred to as “White Dust.” The higher the mineral content or hardness of your water, the greater the potential that you may have white dust.

“White Dust” is not a result of a defect or flaw in the humidifier. It is a result of the amount of minerals suspended in the water you are using.

If you live in a hard water area the use of distilled water will minimize the production of white dust.



The use of a Protec Demineralization cartridge (PDC51 or PDC51-CAN) will help reduce white dust. For best results replace as necessary (every one to two months or up to 30 fillings under normal use) or when the humidifier has not been run for an extended period of time.

Weekly Cleaning

To properly clean your humidifier we recommend the separate processes of Scale Removal and Disinfecting shown below. **These two processes must be performed separately.**

⚠ CAUTION: BEFORE MOVING HUMIDIFIER BASE, TURN OFF, UNPLUG AND EMPTY THE TANK. All maintenance should be done in the kitchen or bathroom on a water resistant surface near a faucet. **DO NOT** wash any components of this humidifier in the dishwasher.

Instructions for Scale Removal

1. Turn off and unplug the humidifier.
2. Remove Water Tank from Base. Remove Tank Cap, taking care that the black rubber Cap Seal does not come off. Empty water from Water Tank and Base.
3. If an accessory is installed, remove accessory and set aside. **DO NOT** clean accessory. This will damage the accessory.
4. Add 2 cups of undiluted, distilled white vinegar to Water Tank. Replace Tank Cap and swish vinegar solution around in Tank. Place Tank on Base. Vinegar solution will drain into Water Reservoir and loosen mineral buildup (scale) on Nebulizer and Float as they soak in the solution. It will also loosen scale on bottom of Water Tank. **DO NOT** run humidifier with vinegar solution.
5. Allow the vinegar to remain in Tank and on Base for 15-20 minutes. Unlock Tank Cap and pour solution out in sink. Pour solution from Water Reservoir out in sink. Wipe Nebulizer and Float with soft cloth to remove loosened mineral deposits.
6. Pour one cup of water into Water Reservoir, lightly swish water and then pour out. Do as many times until the smell of vinegar is gone. Avoid getting water into any openings on the humidifier base.

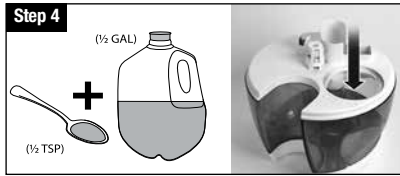
⚠ CAUTION: DO NOT submerge Base in water. Doing so will damage the humidifier and void the warranty.



Weekly Cleaning (Continued)

Instructions for Disinfecting

Follow Steps 1-3 in Scale Removal Instructions in previous section.



4. Add $\frac{1}{2}$ tsp of bleach to $\frac{1}{2}$ gallon (1.9L) of water and add to Water Tank. Replace Tank Cap. Swish solution around in Tank. Place Tank on Base. Bleach solution will drain into Water Reservoir and will disinfect Water Reservoir and other components as they soak.

NOTE: Using more than 1 tsp. of bleach per gallon of water may result in damage to your humidifier.

5. Allow the bleach solution to remain in Tank and on Base for 15-20 minutes. Unlock Tank Cap and pour solution out in sink. Pour solution from Water Reservoir out in sink. Wipe Nebulizer and Float with a soft cloth to remove loosened mineral deposits.

6. Pour a cup of water into Water Reservoir, lightly swish and pour water out. Do as many times as needed until smell of bleach solution is gone. Avoid getting water into any openings on the humidifier base.

NOTE: DO NOT mix vinegar and bleach solutions together. **Scale Removal and Disinfecting must be done separately.**

End-Of-Season Care And Storage

Follow the **CLEANING** instructions when the humidifier will not be used for at least one week, or it is the end of the season.

At the end of the season, remove any accessories used with the humidifier and allow the humidifier and accessories to dry completely before storing.

DO NOT store with water inside the Base, Water Reservoir or Tank.

Pack unit safely and store in a cool, dry location.

Consumer Relations

For questions, technical support or to order replacement parts, contact Consumer Relations.

Call us toll-free at: 1-800-VAPOR-1-2 (1-800-827-6712)

Hours: Mon-Fri 8:00AM-7:00PM EST

E-mail: consumerrelations@kaz.com

Or visit our website at: www.vickshumidifiers.com

Please be sure to specify model number.

Electrical Ratings

Vicks VUL575 SweetDreams Series Cool Mist Humidifier is rated at 120V, 60 Hz.

NOTE: IF YOU EXPERIENCE A PROBLEM, PLEASE CONTACT CONSUMER RELATIONS FIRST OR CHECK YOUR WARRANTY. **DO NOT** RETURN THE HUMIDIFIER TO THE ORIGINAL PLACE OF PURCHASE. **DO NOT** ATTEMPT TO OPEN THE BASE OR TAMPER WITH POWER KNOB YOURSELF, DOING SO MAY VOID YOUR WARRANTY AND CAUSE PERSONAL INJURY OR DAMAGE TO THE PRODUCT.

Troubleshooting

If your humidifier is not working properly, refer to the following:

Problem	Possible Cause	Solution
Power Knob is turned on (beyond 'o') and the power light is off	<ul style="list-style-type: none">• Unit not plugged in• No power at outlet	<ul style="list-style-type: none">• Plug unit in• Check home circuits, fuses; test outlet
Power is on and little or no mist is produced	<ul style="list-style-type: none">• No water in tank• Unit is not level• Mineral deposits on Nebulizer• Power setting may be too low• Water Tank or Base were washed with detergent	<ul style="list-style-type: none">• Fill Water Tank with cool water• Place on a level surface• Clean Nebulizer (refer to Weekly Cleaning Instructions)• Turn the Power Knob to increase output• Rinse thoroughly with clean water until there is no foam or smell of cleaning solution
Water overflows from Reservoir	<ul style="list-style-type: none">• Tank may be damaged• Tank Cap is not tight• Tank Cap Seal may be missing	<ul style="list-style-type: none">• Check the Tank for any cracks or damage and replace if necessary• Close Tank Cap to lock position• Check to see if Cap Seal is attached to Tank Cap. If not, contact Consumer Relations
Condensation forms around humidifier or on windows and walls	<ul style="list-style-type: none">• Mist Intensity is set too high for room size or pre-existing humidity level• Humidifier may be too close to wall or window	<ul style="list-style-type: none">• Decrease mist output to lower setting or open door to the room• Move humidifier away from wall or point Mist Outlet away from wall or window
Projection Feature isn't working	<ul style="list-style-type: none">• Projector Feature isn't turned on• Projector Switch isn't stopped at correct location	<ul style="list-style-type: none">• Press Projector Button on top of projector• Move Projector Switch directly in front of desired theme's icon until you feel a stop

NOTE: Failure to keep this unit clean from mineral deposits normally contained in any water supply will affect the efficiency of operation of this unit. Customer failure to follow these instructions may void the warranty.

2 Year Limited Warranty

You should first read all Instructions before attempting to use this product.

- A.** This 2 year limited warranty applies to repair or replacement of product found to be defective in material or workmanship. This warranty does not apply to damage resulting from commercial, abusive, unreasonable use or supplemental damage. Defects that are the result of normal wear and tear will not be considered manufacturing defects under this warranty. **KAZ IS NOT LIABLE FOR INCIDENTAL OR CONSEQUENTIAL DAMAGES OF ANY NATURE, ANY IMPLIED WARRANTY OF MERCHANTABILITY OR FITNESS FOR A PARTICULAR PURPOSE ON THIS PRODUCT IS LIMITED IN DURATION TO THE DURATION OF THIS WARRANTY.** Some jurisdictions do not allow the exclusion or limitation of incidental or consequential damages or limitations on how long an implied warranty lasts, so the above limitations or exclusions may not apply to you. This warranty gives you specific legal rights, and you also may have other rights which vary from jurisdiction to jurisdiction. This warranty applies only to the original purchaser of this product from the original date of purchase.
- B.** At its option, Kaz will repair or replace this product if it is found to be defective in material or workmanship.
- C.** This warranty does not cover damage resulting from any unauthorized attempts to repair or from any use not in accordance with the instruction manual.
- D.** This warranty does not cover the filters, pre-filters, UV bulbs or other accessories (if included) except for material or workmanship defects.

Call us toll-free at 1-800-VAPOR-1-2 (1-800-827-6712) or e-mail: consumerrelations@kaz.com

Please be sure to specify a model number located on the box and the back and bottom of your unit.

NOTE: IF YOU EXPERIENCE A PROBLEM, PLEASE CONTACT CONSUMER RELATIONS FIRST OR SEE YOUR WARRANTY. DO NOT RETURN THE PRODUCT TO THE ORIGINAL PLACE OF PURCHASE. DO NOT ATTEMPT TO OPEN THE MOTOR HOUSING YOURSELF, DOING SO MAY VOID YOUR WARRANTY AND CAUSE DAMAGE TO THE PRODUCT OR PERSONAL INJURY.



Beaux Rêves^{MC}

à vapeur froide, sans filtre

Guide d'utilisation et d'entretien



- ♥ Transformez la chambre de votre enfant avec 9 images inspirant des rêves
- ♥ Fonctionnement ultrasilencieux
- ♥ Arrêt automatique lorsque le réservoir est vide

Cet humidificateur rétablit le niveau d'humidité de l'air ambiant, ce qui aide l'utilisateur à respirer plus librement. Pour toute question concernant le fonctionnement de l'humidificateur Beaux Rêves à vapeur froide Vicks, sans filtre, communiquer avec notre Service à la clientèle en composant le numéro sans frais 1-800-VAPOR-1-2 (1-800-827-6712), ou envoyer un courriel à Consumerrelations@kaz.com.

IMPORTANT!


LIRE ET GARDER CES INSTRUCTIONS

**Série
VUL575**

Consignes de sécurité importantes

LISEZ ET CONSERVEZ CES

CONSIGNES DE SÉCURITÉ AVANT D'UTILISER CET HUMIDIFICATEUR
LORSQUE VOUS UTILISEZ DES APPAREILS ÉLECTRIQUES, VOUS DEVEZ TOUJOURS PRENDRE
CERTAINES PRÉCAUTIONS ÉLÉMENTAIRES POUR RÉDUIRE LES RISQUES D'INCENDIE, DE
CHOC ÉLECTRIQUE ET DE BLESSURE, NOTAMMENT LES MESURES SUIVANTES :

1. L'humidificateur doit toujours être placé sur une surface rigide, plane et étanche à au moins quatre pieds (1,2 m) du lit, à 12 pouces (30 cm) du mur et hors de portée des patients, des enfants et des animaux de compagnie. Assurez-vous que l'humidificateur est en position stable et que le cordon d'alimentation est éloigné des surfaces chauffantes et n'entrave pas le passage afin d'éviter que l'appareil renverse.
2. L'humidificateur ne doit pas être laissé sans surveillance dans une pièce fermée parce que **l'air pourrait devenir saturé et laisser de la condensation devant l'appareil, sur les murs et les meubles**. Laissez la porte de la pièce partiellement ouverte. **N'orientez pas** l'orifice de la vapeur directement sur les enfants, les murs ou les meubles.
3. Avant d'utiliser l'humidificateur, déroulez le cordon et examinez-le pour vous assurer qu'il n'est pas abîmé. **N'utilisez pas** l'appareil si le cordon est abîmé. **Ne le faites pas fonctionner** si le cordon est enroulé ou s'il y a des nœuds.
4. Par mesure de sécurité, l'humidificateur est muni d'une fiche polarisée (une des deux broches est plus large que l'autre). Cette fiche ne peut s'insérer que d'une seule manière dans une prise polarisée. Si les broches n'entrent pas complètement dans les trous de la prise, tournez la fiche dans l'autre sens. Si elles n'entrent toujours pas, appelez un électricien qualifié. **N'essayez pas** d'altérer ce dispositif de sécurité.
5.  **MISE EN GARDE** : Pour éviter les risques d'incendie ou les chocs électriques, branchez l'humidificateur directement dans une prise électrique de 120 volts. Pour éviter les risques d'incendie, de choc électrique ou de blessures corporelles, **n'utilisez pas** de rallonge électrique ou multiprise.
6. L'humidificateur doit toujours être débranché et vide lorsqu'il ne fonctionne pas ou pendant qu'il est nettoyé. Éteignez et débranchez l'humidificateur avant de le déplacer. **Ne déplacez pas** ou ne penchez pas l'humidificateur pendant qu'il fonctionne. Branchez et débranchez l'humidificateur avec les mains sèches. **Ne tirez jamais** sur le cordon.
7. **Ne faites pas** fonctionner l'humidificateur sans eau. Éteignez et débranchez l'appareil lorsque le réservoir est vide.
8. L'humidificateur doit être nettoyé régulièrement. Consultez et suivez les instructions de nettoyage.
9. **Ne faites pas** fonctionner l'appareil à l'extérieur; cet humidificateur n'est conçu que pour un usage résidentiel à l'intérieur.
10. **Ne couvrez pas** et n'insérez aucun objet dans les orifices de l'appareil.
11. **Ne bloquez pas** les entrées ni les sorties d'air.
12. **N'essayez pas** de réparer ou d'ajuster une fonction électrique ou mécanique sur cet appareil, sous peine d'annulation de votre garantie.
13. **Ne placez pas** l'appareil directement sous les rayons du soleil, à un endroit où la température est élevée ou près d'ordinateurs ou d'équipement électronique sensible.
14. **Ne touchez pas** le nébuliseur lorsque l'appareil est branché, parce que vous pourriez vous brûler.
15. **Évitez** tout contact de la peau avec un coussinet VapoPad^{MD} exposé ou de placer un coussinet VapoPad^{MD} sur un meuble, du tissu, le lit ou du plastique.
16. **N'ajoutez pas** de médicaments (par ex. un médicament liquide à inhaler, du Vicks VapoSteam^{MD} ou des huiles) dans l'orifice de la vapeur, le réservoir d'eau ou la cavité.

CONSERVEZ CES INSTRUCTIONS

Humidificateur à vapeur froide Vicks VUL575 de série Beaux Rêves

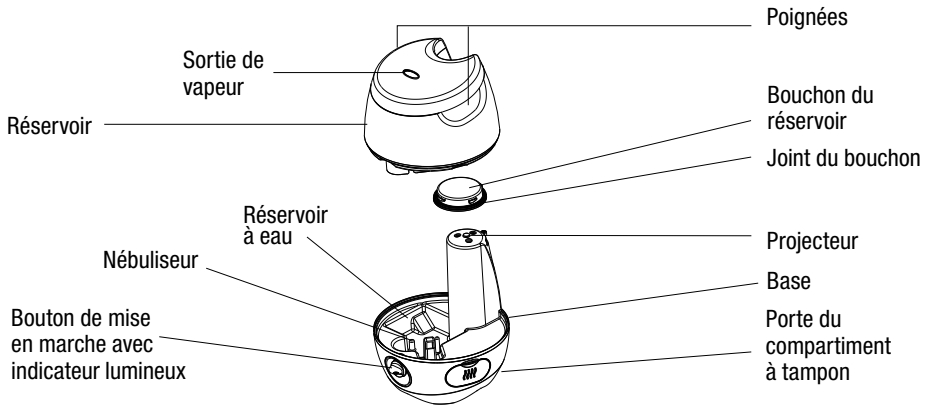


Cet appareil est conforme à la partie 18 du règlement de la Commission fédérale des communications des États-Unis (FCC).

Avertissement: tous changements ou toutes modifications apportés, quels qu'ils soient, n'étant pas expressément approuvés par le parti responsable de la conformité risquent, pour l'utilisateur, d'annuler son droit d'employer l'appareil. Cet appareil a été soumis aux tests d'usage et déclaré conforme aux limites établies pour appareils générateurs de fréquences ISM, selon la partie 18 du règlement de la FCC. Ces limites ont pour but de procurer une protection raisonnable contre le brouillage préjudiciable dans un immeuble d'habitation. L'appareil produit, utilise et peut émettre des fréquences radioélectriques; s'il n'est pas posé et employé selon les instructions, il peut causer des parasites nuisant aux radiocommunications. Rien ne garantit que le brouillage ne se produira pas dans certains immeubles. Si l'appareil cause des parasites nuisibles à la réception des radiocommunications ou des signaux de télévision – ce qui peut être établi en le mettant hors tension puis sous tension – l'utilisateur peut essayer de rectifier la situation en adoptant une ou plusieurs des mesures suivantes:

- modifier l'orientation ou la position de l'antenne réceptrice;
- augmenter l'écart entre l'appareil et le récepteur;
- brancher l'appareil sur un circuit autre que celui sur lequel est connecté le récepteur; ou enfin
- consulter le détaillant ou bien un spécialiste en radio et télévision expérimenté.

Humidificateur Vicks® VUL575 de série Beaux Rêves



Accessoires de l'humidificateur Vicks VUL575 de série Beaux Rêves

Ces accessoires optionnels conviennent parfaitement à l'humidificateur.



Tampons Vicks VapoPads
 Tampons aromatiques procurant des vapeurs mentholées (VSP-19, VSP19FP, VSP19VPC ou VSP-19-CAN) ou lavande/romarin (VBR-5, uniquement aux États-Unis). Huit heures de confort apaisant par tampon. **(Un échantillon de tampon aromatique au menthol inclus)**



Cartouche nettoyante Protec – PC-1, PC-1C ou PC-2
 Garde l'humidificateur propre plus longtemps. La cartouche purifie sans cesse l'eau, freine la prolifération des bactéries et des moisissures; son efficacité est de 30 jours.



Cartouche déminéralisante Protec, PDC-51 ou PDC51-CAN
 Aide à enlever les minéraux de l'eau et empêche la formation d'une poussière blanche. Idéale pour les endroits où l'eau est dure et pour ceux qui n'utilisent pas de l'eau distillée.



Moniteur d'humidité (V70 or V70-CAN)
 Affiche le taux d'humidité relative et la température ambiante afin que vous puissiez maintenir un taux d'humidité confortable dans la maison. Le taux d'humidité idéal se situe entre 40 et 60 %.

Mise en place de l'humidificateur



1. Retirer les matériaux d'emballage. **Garder les instructions.**
2. Enlever le lien et dérouler le cordon.
3. Poser l'appareil sur une surface rigide, plane et insensible à l'humidité, à au moins 15 cm (6 po) du mur.

Remplissage

REMARQUE : Transporter le réservoir à l'aide des deux mains. Une main tenant l'une des poignées sur le dessus du réservoir et l'autre soutenant la base du réservoir.

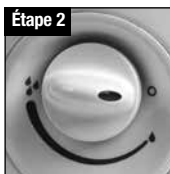
Kaz n'assume aucune responsabilité pour les dommages matériels dus à l'eau.

1. Retirer le réservoir et le mettre sens dessus dessous.
2. Tourner le bouchon du réservoir dans la direction du symbole bloquer pour enlever le bouchon.
3. Remplir le réservoir d'eau froide – **ne pas** le remplir d'eau tiède ou chaude.
4. Reboucher **sûrement** le réservoir, en faisant concorder la flèche et le symbole de verrouillage.
5. Remettre le réservoir en place sur la base.



⚠ ATTENTION: MANIPULER LE RÉSERVOIR AVEC SOIN AFIN DE NE PAS LE COGNER INUTILEMENT. LE TAPER OU L'ÉCHAPPER RISQUERAIT DE L'ENDOMMAGER ET DE PROVOQUER DES FUITES.

Fonctionnement de l'humidificateur



1. **Alimentation: l'interrupteur étant à l'arrêt**, brancher l'humidificateur sur une prise de courant alternatif polarisée de 120 volts. **⚠ ATTENTION: POUR ÉVITER TOUT CHOC ÉLECTRIQUE, NE PAS BRANCHER L'HUMIDIFICATEUR AVEC LES MAINS MOUILLÉES.**
2. **Débit :** Tourner le bouton de mise en marche dans le sens des aiguilles d'une montre jusqu'au réglage le plus élevé.
3. Positionner l'humidificateur pour diriger la sortie de vapeur loin des murs, des meubles et du lit.
4. **Taux d'humidité:** lorsque le niveau d'humidité est confortable dans la pièce, baisser le réglage de l'interrupteur. Un degré d'humidité confortable se situe entre 40 et 60 %.

Un hygromètre – modèle V70 ou V70-CAN Vicks – est idéal pour mesurer le taux d'humidité.

Si de la condensation perle sur les murs, les fenêtres ou autour de l'appareil, c'est que l'air est saturé et que le taux d'humidité est trop élevé. Éteindre l'appareil.

Fonctionnement du projecteur

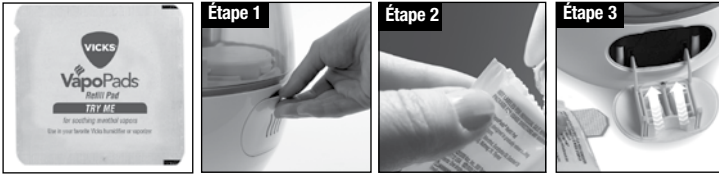
1. Appuyer sur le bouton du projecteur pour allumer ou éteindre le projecteur.
2. Faire glisser la commande du projecteur jusqu'à l'icône du thème de rêve désiré; éléphant (🐘) pour le thème de safari, dauphin (🐬) pour le thème de la mer et étoile (★) pour le thème de la nuit étoilée.
3. Chaque thème défile automatiquement un cycle de 3 images.
4. Le thème peut être changé en tout temps en glissant simplement la commande jusqu'à l'icône du thème désiré.



Bouton du projecteur

REMARQUE : Le projecteur peut fonctionner indépendamment de l'humidificateur

Utilisation des tampons aromatiques



Votre humidificateur Beaux Rêves peut être utilisé avec des tampons Vicks VapoPads^{MD}, de la série VSP-19 ou VBR-5, pour procurer des vapeurs apaisantes pendant un maximum de 8 heures. Un échantillon gratuit de VapoPad au menthol est inclus avec votre humidificateur.

1. Ouvrir la porte du compartiment à tampon aromatique.
2. Déchirer le sachet du tampon VapoPads^{MD} à l'échancrure prévue au haut. Ne pas toucher au tampon déballé. En cas de contact avec les doigts, ne pas se frotter le visage ou les yeux sous peine d'irritation oculaire.
3. Insérer un tampon parfumé avec l'extrémité en angle tourné vers le produit. Vous pouvez insérer jusqu'à deux tampons parfumés. Fermer la porte.
4. Jeter le tampon après 8 heures d'utilisation. Pour employer un autre tampon aromatique, observer tout simplement les instructions des paragraphes 1 à 4.

Conseils concernant les tampons aromatiques VapoPads^{MD}

- L'emploi des tampons est déconseillé pour les bébés de moins de 4,5 kg / 10 lb.
- Pour les enfants de 4,5 à 10 kg / 10 à 22 lb, ne pas dépasser 2 tampons toutes les 24 heures.

Composants des tampons VSP-19, VSP19FP, VSP19VPC, VSP-19-CAN: huile essentielle d'eucalyptus, menthol, glycol, huile essentielle de cèdre, et autres. VBR-5 : Glycol, huile d'eucalyptus, huile de romarin, camphre, lavande 40/42 et autres.

Effets de la qualité de l'eau sur l'humidificateur

La haute teneur en minéraux de l'eau, communément appelée «eau dure» ou «eau calcaire» peut provoquer le dépôt de poussière blanche sur les diverses surfaces de la pièce qui se trouvent à proximité de l'humidificateur. Plus l'eau de la région contient de minéraux, plus il y a de chances qu'il se produise de la poussière blanche.

La poussière blanche ne provient pas d'un défaut de l'humidificateur, mais des minéraux qui sont en suspension dans l'eau employée.

Dans les régions où l'eau est très dure ou calcaire, l'utilisation d'eau distillée minimisera la quantité de poussière blanche.



L'utilisation d'une cartouche déminéralisante Protec (PDC51 ou PDC51-CAN) aidera à réduire la poussière blanche. Pour de meilleurs résultats, la remplacer lorsque c'est nécessaire (tous les mois ou deux mois ou jusqu'à 30 remplissages sous utilisation normale) ou lorsque l'humidificateur n'a pas fonctionné pendant une période prolongée.

Entretien hebdomadaire

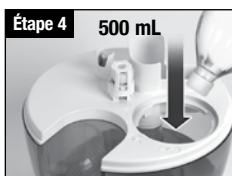
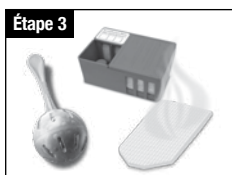
Afin de nettoyer convenablement l'humidificateur, nous recommandons de le détartrer et de le désinfecter tel que décrit ci-dessous. **Procéder au détartrage et à la désinfection séparément.**

⚠ ATTENTION : AVANT DE DÉPLACER LA BASE DE L'HUMIDIFICATEUR, L'ÉTEINDRE, LE DÉBRANCHER ET VIDER LE RÉSERVOIR. Tout entretien devrait être effectué dans la cuisine ou la salle de bains, sur une surface qui résiste à l'humidité, près d'un robinet. **NE** passer **AUCUNE** pièce de l'humidificateur au lave-vaisselle.

Instructions de détartrage

1. Éteindre puis débrancher l'humidificateur.
2. Séparer le réservoir de la base. Enlever le bouchon en veillant à ce que son joint de caoutchouc noir reste en place. Vider l'eau du réservoir et de la base.
3. Si un accessoire est employé, le retirer et le mettre de côté.
NE PAS détartrer l'accessoire, le détartrage l'abîmerait irrémédiablement.
4. Verser 500 mL (2 tasses) de vinaigre blanc distillé dans le réservoir. Reboucher celui-ci et l'agiter. Poser le réservoir sur la base. Du vinaigre s'écoulera et désagrègera le tartre qui s'est formé sur le nébuliseur, sur le flotteur ainsi qu'au fond de la cavité.
NE PAS faire fonctionner l'humidificateur avec une solution au vinaigre
5. Laisser le vinaigre reposer dans le réservoir et sur la base pendant 15-20 minutes. Ouvrir le capuchon du réservoir et vider la solution dans l'évier. Vider également celui qui se trouve dans la cavité dans l'évier. Essuyer le nébuliseur et le flotteur avec un chiffon doux pour enlever les particules de tartre effritées.
6. Verser une tasse d'eau dans le réservoir d'eau, secouer légèrement l'eau, puis la vider. Le faire aussi souvent que nécessaire tant que l'odeur de vinaigre n'est pas partie. Éviter que l'eau pénètre dans les ouvertures à la base de l'humidificateur.

⚠ ATTENTION : ne pas plonger la base dans l'eau, ceci endommagerait l'humidificateur et annulerait la garantie.

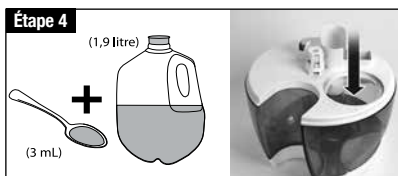


Entretien hebdomadaire (suite)

Instructions de désinfection

Suivre les étapes de 1 à 3 du détartrage, à la section précédente.

- Ajouter 3 mL (½ cuill. à thé) d'eau de Javel à 1,9 litre (½ gallon US) d'eau et verser dans le réservoir. Refermer avec le bouchon et agiter la solution javellisée dans le réservoir. Poser le réservoir sur la base. En coulant, la solution désinfectera la cavité et les autres éléments.



REMARQUE: utiliser plus de 5 mL (1 cuill. à thé) d'eau de Javel par 3,8 litres (1 gallon US) d'eau risque d'endommager l'humidificateur.

- Laisser la solution d'eau de Javel dans le réservoir et dans la base pendant 15 à 20 minutes. Ouvrir le bouchon du réservoir et verser la solution dans l'évier. Verser la solution du réservoir d'eau dans l'évier. Essuyer le nébuliseur et le séparateur à l'aide d'un chiffon doux pour enlever les dépôts de minéraux détachés.

- Verser une tasse d'eau dans le réservoir d'eau, brasser légèrement le réservoir et vider l'eau. Répéter autant de fois que nécessaire jusqu'à ce que l'odeur d'eau de Javel soit partie. Éviter de mouiller les ouvertures à la base de l'humidificateur.

REMARQUE: NE PAS mélanger le vinaigre et l'eau de Javel. Détartrer et désinfecter séparément.

Entretien de fin de saison et rangement

Observer les instructions d'**ENTRETIEN** préconisées quand l'humidificateur ne doit pas servir pendant une semaine ou plus, ainsi qu'à la fin de la saison d'utilisation.

En fin de saison, sortir tous les accessoires de l'appareil, s'il y a lieu, et laisser totalement sécher l'humidificateur ainsi que les accessoires avant de les ranger.

NE PAS ranger l'humidificateur avec de l'eau dans la base, la cavité ou le réservoir.

Emballer soigneusement l'appareil et le ranger dans un endroit frais et sec.

Service à la clientèle

Si vous avez des questions, besoin d'un soutien technique ou pour commander des pièces de rechange, communiquez avec le Service à la clientèle.

Téléphonez-nous sans frais au : 1 800 VAPOR-1-2 (1 800 827-6712)

Heures : Lundi au vendredi de 8 h à 19 h HNE

Courriel : consumerrelations@kaz.com

Ou visitez notre site Web au : www.vickshumidifiers.com

Prière de préciser le numéro de modèle.

Caractéristiques électriques

L'humidificateur à vapeur froide Vicks VUL575 de série Beaux Rêves a une capacité de 120 volts, 60 Hz..

REMARQUE : SI VOUS AVEZ UN PROBLÈME, COMMUNIQUER D'ABORD AVEC LE SERVICE À LA CLIENTÈLE OU LIRE LA GARANTIE. NE PAS RETOURNER L'HUMIDIFICATEUR À L'ENDROIT OÙ IL A ÉTÉ ACHÉTÉ. **NE PAS** TENTER D'OUVRIRE LE BÔTIER DU MOTEUR OU D'ESSAYER DE CROCHETER LE BOUTON DE MISE EN MARCHÉ SOI-MÊME, CE QUI ANNULERAIT LA GARANTIE ET RISQUERAIT DE PROVOQUER DES DOMMAGES ET DES BLESSURES CORPORELLES

Dépannage

Consulter les suggestions ci-dessous en cas d'anomalie de fonctionnement.

Problème	Cause possible	Solution
Le bouton est tourné à la position de mise en marche (au-delà de 'o') et l'indicateur lumineux est éteint	<ul style="list-style-type: none">• Appareil non branché• Prise non alimentée	<ul style="list-style-type: none">• Brancher l'appareil• Vérifier circuits et fusibles, essayer la prise de courant
L'appareil est sous tension mais il se produit peu ou pas de vapeur	<ul style="list-style-type: none">• Réservoir vide• Appareil instable• Incrustation de minéraux sur le nébuliseur• Réglage peut-être trop bas• Réservoir ou base ayant été lavé au détergent	<ul style="list-style-type: none">• Remplir le réservoir• Mettre l'appareil d'aplomb• Nettoyer le nébuliseur (voir les instructions d'entretien hebdomadaire)• Régler l'interrupteur de façon à augmenter le débit• Rincer à l'eau claire jusqu'à ce qu'il n'y ait plus de mousse ou de trace d'odeur de solution
De l'eau déborde du réservoir	<ul style="list-style-type: none">• Réservoir pouvant être endommagé• Bouchon pas assez serré• Joint du bouchon du réservoir manquant	<ul style="list-style-type: none">• Examiner le réservoir et le remplacer s'il est fêlé ou abîmé• Verrouiller le bouchon• Vérifier que le bouchon est muni de son joint d'étanchéité – s'il ne l'est pas, appeler le Service à la clientèle
De la condensation se forme autour de l'humidificateur ou sur les fenêtres et murs	<ul style="list-style-type: none">• Débit trop élevé pour la grandeur de la pièce ou pour le taux d'humidité préexistant• Humidificateur peut-être trop près du mur ou de la fenêtre	<ul style="list-style-type: none">• Réduire le débit ou ouvrir la porte de la pièce• Éloigner l'humidificateur du mur ou orienter la buse à l'écart du mur ou de la fenêtre
Le projecteur ne fonctionne pas	<ul style="list-style-type: none">• Le projecteur n'est pas allumé• La commande du projecteur n'est pas arrêtée au bon endroit	<ul style="list-style-type: none">• Appuyer sur le bouton du projecteur sur le dessus du projecteur• Déplacer la commande du projecteur directement en avant de l'icône du thème désiré jusqu'à ce que vous sentiez un arrêt

REMARQUE: faute d'entretien convenable, les minéraux en suspension dans l'eau forment une incrustation qui nuit au bon fonctionnement de l'appareil. Il incombe au client de respecter les instructions fournies et d'entretenir l'appareil tel que préconisé, sous peine d'annulation de la garantie.

Garantie limitée de 2 ans

Vous devriez d'abord lire les instructions au complet avant de tenter d'utiliser le produit.

- A.** Cette garantie limitée de 2 ans s'applique à la réparation ou au remplacement d'un produit qui s'avère défectueux en raison d'un vice de matériau ou de main-d'œuvre. Cette garantie ne couvre pas les dommages résultant d'une utilisation commerciale, abusive ou excessive, ni les dommages associés. Les dommages qui résultent de l'usure normale ne sont pas considérés comme des défauts en vertu de cette garantie. **KAZ DÉCLINE TOUTE RESPONSABILITÉ EN CAS DE DOMMAGES ACCESSOIRES OU INDIRECTS DE QUELQUE NATURE QUE CE SOIT. TOUTE GARANTIE IMPLICITE DE COMMERCIALISABILITÉ OU DE PERTINENCE À DES FINS PARTICULIÈRES SUR CE PRODUIT EST LIMITÉE À LA DURÉE DE CETTE GARANTIE.** Certains États ou provinces n'autorisent pas l'exclusion ou la limitation des dommages accessoires ou indirects, ou la limitation de la durée d'une garantie implicite, de sorte que les limites ou exclusions ci-dessus peuvent ne pas s'appliquer à vous. Cette garantie vous accorde des droits légaux particuliers, et vous pouvez avoir en plus d'autres droits qui varient selon les États ou provinces. Cette garantie ne s'applique qu'à l'acheteur initial de ce produit, à partir de la date d'achat.
- B.** Kaz peut, à son gré, réparer ou remplacer ce produit s'il s'avère défectueux en raison d'un vice de matériau ou de main-d'œuvre.
- C.** Cette garantie ne couvre pas les dommages résultant d'une tentative non autorisée de réparer cet appareil, ni d'une utilisation non conforme à ce manuel d'instructions.
- D.** Cette garantie ne couvre pas les filtres, les préfiltres, les ampoules UV et les autres accessoires (si compris) sauf pour les défauts de fabrication ou de main-d'œuvre.

Téléphonez-nous sans frais au : 1-800-VAPOR-1-2 (1-800-827-6712)

Courriel : consumerrelations@kaz.com

Veillez préciser le numéro du modèle indiqué sur la boîte, ainsi qu'à l'arrière et en bas de votre appareil.

REMARQUE : SI VOUS AVEZ UN PROBLÈME, VEUILLEZ COMMUNIQUER AVEC NOTRE SERVICE À LA CLIENTÈLE OU RELIRE LA GARANTIE. NE RETOURNEZ PAS LE PRODUIT AU MAGASIN OÙ VOUS L'AVEZ ACHÉTÉ INITIALEMENT. N'ESSAYEZ PAS D'OUVRIER LE BOÎTIER DU MOTEUR, CAR CE FAISANT VOUS RISQUEZ D'ANNULER LA GARANTIE, D'ENDOMMAGER L'APPAREIL OU DE VOUS BLESSER.



Humidificador de Vapor Frío

Dulces Sueños™

Manual de Uso y Cuidado



- ♥ Transforme la habitación de su hijo con 9 imágenes inspiradas en sueños
- ♥ Operación Ultra Silenciosa
- ♥ Apagado automático cuando se vacía

Este humidificador agrega vapor de agua al aire circundante ayudando al usuario a respirar mejor. Si tiene preguntas sobre la operación de su Humidificador de Vapor Frío Dulces Sueños de Vicks, llame lada gratuita a la línea de Servicio al Consumidor al 1-800-VAPOR-1-2 ó envíenos un correo electrónico a Consumerrelations@kaz.com.

¡IMPORTANTE!

LEA Y GUARDE ESTAS INSTRUCCIONES

**Series
VUL575**



INSTRUCCIONES IMPORTANTES DE SEGURIDAD

LEA Y GUARDE ESTAS INSTRUCCIONES DE SEGURIDAD ANTES DE USAR
ESTE HUMIDIFICADOR

SIEMPRE SE DEBEN TOMAR PRECAUCIONES BÁSICAS CUANDO SE USEN
ARTEFACTOS ELÉCTRICOS PARA REDUCIR EL RIESGO DE INCENDIO, DESCARGA
ELÉCTRICA Y LESIONES A PERSONAS, INCLUYENDO LO SIGUIENTE:

1. Siempre coloque el humidificador sobre una superficie firme, plana y resistente al agua por lo menos a 1.2 m (4 pies) de las camas, a 30 cm (12 pulg.) de la pared y fuera del alcance de pacientes, niños y animales domésticos. Asegúrese de que el humidificador esté en una posición estable y el cable lejos de superficies calientes y fuera del paso para evitar que derriben el humidificador.
2. El humidificador no se debe dejar desatendido en una habitación cerrada puesto que **el aire podría saturarse y dejar condensación frente a la unidad, en las paredes y muebles**. Deje la puerta de la habitación entreabierta. **No** apunte la Salida de Vapor directamente a los niños, paredes o muebles.
3. Antes de usar el humidificador, verifique que el cable no tenga señales de avería. **No** use la unidad si el cable se encuentra dañado. **No** opere con el cable enrollado o con la atadura de alambre en su lugar.
4. Como característica de seguridad el humidificador cuenta con un enchufe polarizado (una clavija es más ancha que la otra). Este enchufe encajará de manera unidireccional en un tomacorriente polarizado. Si el enchufe no entra completamente en el tomacorriente, gírelo. Si aún no encaja, contacte a un electricista calificado. **No** intente anular esta característica de seguridad.
5. **⚠ PRECAUCIÓN:** Para evitar riesgos de incendio o descarga eléctrica, enchufe el humidificador directamente en un tomacorriente de 120 V~ de CA. Para evitar riesgos de descarga o lesiones personales **no** use un cable de extensión o contacto múltiple.
6. El humidificador siempre debe estar desconectado y vacío cuando no esté en uso o mientras lo esté limpiando. Apague y desconecte el humidificador antes de moverlo. **No** mueva o incline el humidificador mientras esté en operación. Conecte y desconecte la unidad con las manos secas. **Nunca** estire del cable.
7. **No** opere el humidificador sin agua. Apague y desconecte la unidad cuando el tanque esté vacío.
8. El humidificador requiere limpieza regular. Lea y siga las instrucciones de limpieza.
9. **No** opere en exteriores; este humidificador está diseñado sólo para uso residencial interior.
10. **No** tape o introduzca objetos en ninguna de las aberturas de la unidad.
11. **No** obstruya las ventilas de entrada o salida.
12. **No** intente reparar o ajustar cualquier función mecánica o eléctrica en este humidificador. Hacerlo anulará su garantía.
13. **No** coloque en luz directa del sol, en áreas con alta temperatura o cerca de computadoras o equipos electrónicos sensibles.
14. **No** toque el nebulizador mientras la unidad esté conectada, podría ocasionar quemaduras.
15. **No** toque la piel con el VapoPad® expuesto o lo coloque sobre los muebles, telas, sábanas o plásticos.
16. **No** agregue ningún medicamento (p. ej. inhalante líquido, VapoSteam® de Vicks o aceites) en la Salida de Vapor, Depósito de Agua o Tanque de Agua

GUARDE ESTAS INSTRUCCIONES.

Humidificador de Vapor Frío de las Series Dulces Sueños VUL575 de Vicks

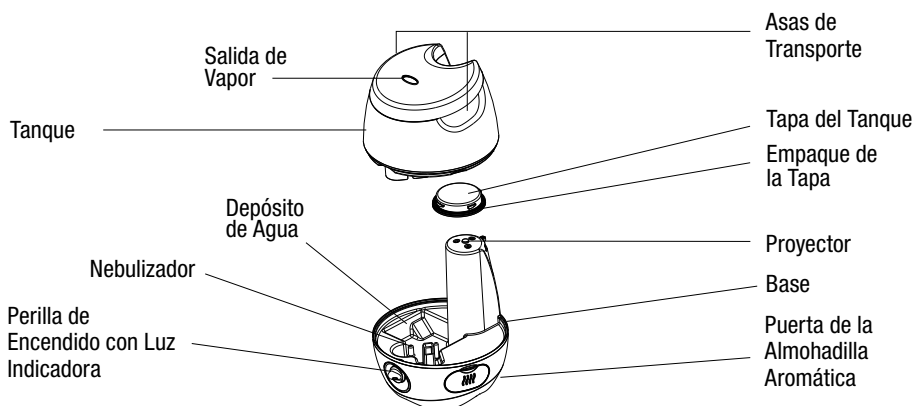


Este dispositivo cumple con la Parte 18 de las Reglas de la Comisión Federal de Comunicaciones (FCC).

Advertencias: Cambios o modificaciones a esta unidad, no aprobados expresamente por la parte responsable del cumplimiento podrían anular la autoridad del usuario para operar el equipo. Este equipo ha sido probado y se comprobó que cumple con los límites para equipo de Consumidor ISM, conforme a la Parte 18 de las reglas de la FCC. Estos límites están diseñados para proporcionar protección razonable contra las interferencias dañinas en una instalación residencial. Este equipo, usa y puede irradiar energía de radiofrecuencia y si no se instala y utiliza de acuerdo con las instrucciones, puede causar interferencias dañinas con comunicaciones de radio. Sin embargo, no existe garantía que la interferencia no ocurrirá en una instalación en particular. Si este equipo causa interferencia dañina a la recepción de la radio o la televisión, que puede determinarse apagando o encendiendo el equipo se recomienda al usuario que intente corregir la interferencia por una o más de las siguientes medidas:

- Reorientar o reubicar la antena receptora.
- Aumente la separación entre el equipo y el receptor.
- Conecte el equipo a un tomacorriente en un circuito diferente al cual está conectado el receptor.
- Consulte al distribuidor o a un técnico experimentado de radio y televisión para obtener ayuda.

Humidificador de las Series Dulces Sueños VUL575 de Vicks®



Accesorios del Humidificador de las Series Dulces Sueños VUL575 de Vicks®

Los siguientes accesorios opcionales funcionarán adecuadamente con su humidificador.



VapoPads Vicks

Proporciona vapores relajantes de mentol (VSP-19, VSP19FP, VSP19VPC o VSP-19-CAN) o lavanda/romero (VBR-5, sólo en EUA). 8 horas de comodidad relajante por almohadilla. **(Una Muestra de VapoPad de Mentol Incluida)**



Cartucho de Limpieza Protec, PC-1, PC-1C o PC-2

Ayuda a mantener su humidificador más limpio por más tiempo. También limpia y protege continuamente a los humidificadores contra bacterias y moho. Mantiene la limpieza durante 30 días.



Cartucho de Desmineralización Protec, PDC-51 o PDC51-CAN

Ayuda a eliminar los minerales del agua y prevenir el polvo blanco. Ideal para áreas con agua dura y si no se usa agua destilada.



Higrómetro (V70 o V70-CAN)

Muestra la humedad relativa y la temperatura de la habitación para que pueda mantener un nivel de humedad confortable en su hogar. El nivel de humedad ideal está entre 40-60%.

Instalación de su Humidificador



1. Retire el material de empaque. **Conserve las instrucciones.**
2. Retire el lazo de torcedura y extienda el cable de corriente.
3. Coloque en una superficie firme, nivelada y resistente al agua por lo menos a 15 cm (6 pulg) de cualquier pared.

Llenado/Rellenado

NOTA: El Tanque debe cargarse con las dos manos. Una mano utilizando una de las asas de transporte ubicada en la parte superior del tanque y la otra sujetando la base del tanque.

Kaz no aceptará responsabilidad por daños a la propiedad causados por derrames de agua.

1. Retire el Tanque y voltee hacia abajo.
2. Gire la Tapa del Tanque en la dirección del símbolo de candado abierto para quitar la tapa.
3. Llene el Tanque con agua fría. **No** llene con agua tibia o caliente.
4. **Firmemente** vuelva a colocar la Tapa del Tanque, alineando la flecha al símbolo de candado.
5. Coloque el Tanque en la Base.



⚠ PRECAUCIÓN: TENGA CUIDADO CUANDO MANIPULE EL TANQUE DE AGUA PARA EVITAR IMPACTOS INNECESARIOS. GOLPEAR O DEJAR CAER EL TANQUE DE AGUA PODRÍA RESULTAR EN DAÑOS AL TANQUE LO QUE CAUSARÁ FUGAS.

Operación del Humidificador



1. **Encendido:** Con la perilla de encendido en la posición de apagado, conecte el humidificador en un tomacorriente polarizado de 120V~. **⚠ PRECAUCIÓN: PARA EVITAR DESCARGA ELÉCTRICA NO CONECTE EL HUMIDIFICADOR EN EL TOMACORRIENTE CON LAS MANOS MOJADAS.**
2. **Salida:** Gire la Perilla de Encendido a favor de las manecillas del reloj al ajuste más alto.
3. Coloque el humidificador para direccionar la salida de vapor lejos de las paredes, muebles y ropa de cama.
4. **Nivel de Humedad:** Una vez que ha alcanzado un nivel de humedad cómodo gire la Perilla de Encendido al ajuste más bajo. Un nivel de humedad cómodo es entre el 40-60%.

Para controlar el nivel de humedad use un monitor de humedad como el modelo V70 o V70-CAN Vicks.

Si observa condensación en las paredes, ventanas o alrededor de la unidad, su nivel de humedad es muy alto. Apague el humidificador.

Operación del Proyector

1. Presione el botón del proyector para encender o apagar la función del proyector.
2. Deslice el interruptor del proyector al ícono del tema de sueño deseado; elefante (🐘) para el tema de safari, delfín (🐬) para el tema de océano y estrella (★) para el tema de noche estrellada.
3. Cada tema ciclará entre 3 imágenes automáticamente.
4. El tema se puede cambiar en cualquier momento simplemente deslizando el interruptor al ícono del tema deseado.

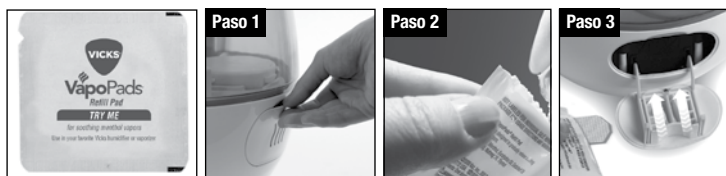
Interruptor del Proyector



Botón del Proyector

NOTA: El proyector puede funcionar independiente del humidificador

Uso de Almohadillas Aromáticas



Su Humidificador Dulces Sueños puede utilizarse con VapoPads® de Vicks, de las series VSP-19 o VBR-5, para proporcionar hasta 8 horas de vapores relajantes. Una muestra gratis del VapoPad de mentol está incluida con su humidificador.

1. Abra la Puerta de la Almohadilla Aromática
2. Abra la Almohadilla Aromática rasgando la muesca de la bolsa de la almohadilla. No toque la almohadilla con las manos. Si toca la almohadilla, no frote la cara o los ojos ya que puede causar irritación.
3. Inserte la Almohadilla Aromática de Vicks con el extremo angulado hacia el producto. Pueden insertarse hasta dos almohadillas aromáticas. Cierre la puerta.
4. Después de 8 horas deseche la almohadilla aromática.

Para continuar usando almohadillas aromáticas, repita los pasos 1-4.

Uso Recomendado de VapoPad®

- No se recomienda para niños menores de 4.5 kg (10 lb).
- Para niños de entre 4.5-10 kg (10-22 lb) no use más de 2 almohadillas en un período de 24 horas.

Ingredientes de la Almohadilla Aromática: VSP-19, VSP19FP, VSP19VPC, VSP-19-CAN: Aceite de Eucalipto, Mentol, Glicol, Aceite de Hoja de Cedro y Otros. VBR-5: Glicol, Aceite de Eucalipto, Aceite de Romero, Alcanfor, Lvanda 40/42 y otros.

Calidad del Agua y Su Humidificador

El alto contenido de minerales en su agua, también conocido como “agua dura” puede provocar acumulación de un residuo mineral blanco en las superficies de la habitación cerca del humidificador. Este residuo mineral es comúnmente llamado “Polvo Blanco”. Cuanto mayor sea el contenido mineral o la dureza del agua, mayores son las probabilidades que usted pueda tener polvo blanco.

El “Polvo Blanco” no es el resultado de un defecto o imperfección en el humidificador. Es el resultado de la cantidad de minerales suspendidos en el agua que utiliza.

Si vive en una zona de agua dura el uso de agua destilada minimizará la producción de polvo blanco.



El uso de un cartucho de Desmineralización Protec (PDC51 o PDC51-CAN) ayudará a reducir el polvo blanco. Para obtener mejores resultados reemplace según sea necesario (cada uno a dos meses o hasta 30 llenadas bajo uso normal) o cuando el humidificador no se ha operado durante períodos prolongados de tiempo.

Limpieza Semanal

Para limpiar adecuadamente su humidificador le recomendamos los procesos de Eliminación del Sarro y Desinfección mostrados a continuación. **Estos dos procesos deben ser realizados por separado.**

⚠️ PRECAUCIÓN: ANTES DE MOVER LA BASE DEL HUMIDIFICADOR, APAGUE, DESCONECTE Y VACÍE EL TANQUE. Todo el mantenimiento debe hacerse en la cocina o el baño, sobre una superficie resistente al agua cerca de un grifo. **NO** lave ningún componente de este humidificador en el lavavajillas.

Instrucciones para Eliminación del Sarro

1. Apague y desconecte el humidificador.
2. Retire el Tanque de Agua de la Base. Retire la Tapa del Tanque, teniendo cuidado de que no se desprenda el Empaque negro de goma de la Tapa. Vacíe el agua del Tanque de Agua y la Base.
3. Si un accesorio está instalado, retírelo y deje a un lado. **NO** limpie el accesorio. Esto dañará el accesorio.
4. Agregue 2 tazas de vinagre blanco sin diluir al Tanque de Agua. Vuelva a colocar la Tapa del Tanque y agite la solución de vinagre alrededor del Tanque. Coloque el Tanque en la Base. La solución de vinagre se drenará al Depósito de Agua y suavizará la acumulación de minerales (escala) en el Nebulizador y el Flotador al remojarse en la solución. También suavizará el sarro en la parte inferior del Tanque de Agua. **NO** opere el humidificador con la solución de vinagre.
5. Permita que el vinagre permanezca en el Tanque y en la Base durante 15-20 minutos. Abra la Tapa del Tanque y vacíe la solución en el fregadero. Vierta la solución del Depósito de Agua en el fregadero. Limpie el Nebulizador y el Flotador con un paño suave para remover los depósitos minerales suavizados.
6. Vierta una taza de agua en el Depósito de Agua, agite ligeramente el agua y después vacíela. Realice tantas veces sea necesario hasta que desaparezca el olor a vinagre. Evite que entre agua en cualquiera de las aberturas en la base del humidificador.

⚠️ PRECAUCIÓN: NO sumerja la base en agua. Hacerlo dañará el humidificador y anulará la garantía.

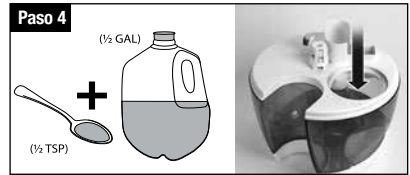


Limpieza Semanal (Continuación)

Instrucciones para Desinfección

Siga los Pasos 1-3 en las Instrucciones de Eliminación de Sarro en la sección anterior.

4. Agregue $\frac{1}{2}$ cucharadita de cloro a $\frac{1}{2}$ galón (1.9L) de agua y agregue al Tanque de Agua. Vuelva a colocar la Tapa del Tanque. Agite la solución alrededor del Tanque. Coloque el Tanque en la Base. La solución de cloro se drenará en el Depósito de Agua y desinfectará el Depósito de Agua y los otros componentes a medida que se remojen.



NOTA: Utilizar más de 1 cucharadita de cloro por galón de agua puede ocasionar daños a su humidificador.

5. Permita que la solución de cloro permanezca en el Tanque y en la Base durante 15-20 minutos. Abra la Tapa del Tanque y vacíe la solución en el fregadero. Limpie el Nebulizador y el Flotador con un paño suave para remover los depósitos minerales suavizados.
6. Vierta una taza de agua en el Depósito de Agua, agite ligeramente el agua y después vacíela. Realice tantas veces sea necesario hasta que desaparezca el olor a la solución de cloro. Evite que entre agua en cualquiera de las aberturas en la base del humidificador.

NOTA: NO mezcle las soluciones de vinagre y cloro. La Eliminación de Sarro y la Desinfección deben realizarse por separado.

Cuidado y Almacenaje Fuera de Temporada

Siga las instrucciones de **LIMPIEZA** cuando el humidificador no esté en uso por al menos una semana, o al final de la temporada.

Al final de la temporada, retire todos los accesorios usados con el humidificador y permita que sequen completamente antes de almacenar.

NO almacene con agua dentro de la Base, Depósito de Agua o Tanque.

Empaque la unidad de manera segura y guárdela en un lugar fresco y seco.

Servicio al Consumidor

Para preguntas, soporte técnico o para ordenar partes de reemplazo, contacte Servicio al Cliente. Llámenos lada gratuita al: 1-800-VAPOR-1-2 (1-800-827-6712)

Horas: Lun-Vie 8:00AM-7:00PM EST

Correo Electrónico: consumerrelations@kaz.com

O visite nuestro sitio web: www.vickshumidifiers.com

Por favor asegúrese de especificar el número de modelo.

Rangos Eléctricos

El Humidificador de Vapor Frío de las Series Dulces Sueños VUL575 de Vicks tiene una capacidad nominal de 120V~, 60 Hz.

NOTA: SI EXPERIMENTA UN PROBLEMA, POR FAVOR PRIMERO CONTACTE SERVICIO AL CONSUMIDOR O REVISE SU GARANTÍA. **NO** DEVUELVA EL HUMIDIFICADOR AL LUGAR ORIGINAL DE COMPRA. **NO** INTENTE ABRIR LA BASE O MANIPULAR CON LA PERILLA DE ENCENDIDO USTED MISMO, HACERLO PODRÍA ANULAR SU GARANTÍA Y OCASIONAR LESIONES PERSONALES O DAÑOS AL PRODUCTO.

Solución de Problemas

Si su humidificador no está funcionando adecuadamente, consulte lo siguiente:

Problema	Causa Posible	Solución
La Perilla de Encendido está en encendido (más allá de la 'o') y la luz de encendido está apagada.	<ul style="list-style-type: none">• La unidad no está conectada• El tomacorriente no tiene energía• El tanque no tiene agua.	<ul style="list-style-type: none">• Conecte la unidad• Verifique los circuitos y fusibles en el hogar, revise el tomacorriente• Llene el Tanque de Agua.
La unidad está encendida y se produce poco o nada de vapor	<ul style="list-style-type: none">• La unidad no está nivelada• Depósitos minerales en el nebulizador• El ajuste de potencia puede ser muy bajo• El Tanque de Agua o la Base fueron lavados con detergente	<ul style="list-style-type: none">• Coloque en una superficie nivelada• Limpie el nebulizador (consulte las Instrucciones de Limpieza y Cuidado Semanal)• Gire la Perilla de Encendido para aumentar la salida• Enjuague a fondo con agua limpia hasta que desaparezca la espuma o el olor a la solución
El agua se desborda del depósito	<ul style="list-style-type: none">• El Tanque puede estar dañado• La Tapa del Tanque no está apretada• No está el Empaque de la Tapa	<ul style="list-style-type: none">• Revise si el Tanque tiene grietas o daños, y cambie si es necesario• Cierre la Tapa del Tanque en la posición de cerrado• Revise si el Empaque de la Tapa está en la Tapa del Tanque. Si no es así, contacte Servicio al Consumidor
Se forma condensación alrededor del humidificador o en las ventanas y paredes	<ul style="list-style-type: none">• La intensidad del vapor es demasiado alta para el tamaño de la habitación o el nivel de humedad existente• El humidificador puede estar muy cerca de la pared o la ventana	<ul style="list-style-type: none">• Disminuya la salida a un ajuste más bajo o abra la puerta de la habitación• Aleje el humidificador de la pared o apunte la Salida de Vapor lejos de la pared o ventanas
La Característica del Proyector no está funcionando	<ul style="list-style-type: none">• La Característica del Proyector no está encendida• El Interruptor del Proyector no está colocado en el lugar correcto	<ul style="list-style-type: none">• Presione el Botón del Proyector en la parte superior del Proyector• Mueva el Interruptor del Proyector directamente frente al ícono del tema deseado hasta que sienta que se detiene

NOTA: No mantener esta unidad limpia de depósitos minerales normalmente contenidos en cualquier suministro de agua afectará la eficiencia de operación de esta unidad. El incumplimiento del cliente en seguir estas instrucciones podría anular la garantía.

Garantía Limitada de 2 Años

Antes de usar este producto, por favor lea completamente las instrucciones.

- A.** La presente garantía limitada de 2 años cubre la reparación o reemplazo del producto si éste presenta un defecto de fábrica o de mano de obra. Esta garantía excluye todo daño resultante del uso comercial, abusivo o inadecuado del producto, o de daños asociados. Los defectos resultantes del desgaste normal no se consideran defectos de fábrica en virtud de la presente garantía. **KAZ NO SERÁ CONSIDERADA RESPONSABLE DE DAÑOS FORTUITOS O INDIRECTOS DE NINGÚN TIPO. TODA GARANTÍA IMPLÍCITA DE CALIDAD COMERCIAL O DE CONVENIENCIA CON UN FIN ESPECÍFICO RELACIONADA CON ESTE PRODUCTO TENDRÁ LA MISMA VIGENCIA QUE LA PRESENTE GARANTÍA.** En ciertos lugares no se permite la exclusión o limitación de daños fortuitos o indirectos, ni los límites de duración aplicables a una garantía implícita. Por consiguiente, es posible que estas limitaciones o exclusiones no se apliquen en su caso. Esta garantía le confiere ciertos derechos legales específicos. Es posible que usted también tenga otros derechos legales, los que varían según la jurisdicción. La presente garantía sólo es válida para el comprador inicial del producto a partir la fecha de compra.
- B.** A su discreción, Kaz reparará o reemplazará el presente producto si se constata que presenta un defecto de fábrica o de mano de obra.
- C.** Esta garantía no cubre los daños ocasionados por tentativas de reparación no autorizadas o por todo uso que no esté en concordancia con el presente manual.
- D.** Esta garantía no cubre los filtros, prefiltros, bombillas UV u otros accesorios (si los incluye) excepto por defectos de material o mano de obra.

Llámenos lada gratuita al: 1-800-VAPOR-1-2 (1-800-827-6712) Correo Electrónico: consumerrelations@kaz.com Por favor asegúrese de especificar el número de modelo.

NOTA: SI TIENE PROBLEMAS, POR FAVOR LLAME PRIMERO A SERVICIO AL CLIENTE O CONSULTE SU GARANTÍA. NO DEVUELVA AL LUGAR ORIGINAL DE COMPRA. NO INTENTE ABRIR LA CARCASA DEL MOTOR USTED MISMO, HACERLO PODRÍA ANULAR SU GARANTÍA Y CAUSAR DAÑO AL PRODUCTO O DAÑOS CORPORALES.

DO NOT PRINT

Helen of Troy					
CREATIVE DEPARTMENT ARTWORK SPECIFICATIONS					
Brand:	Vicks				
Category:	Humidifier				
Model:	VUL575				
Artwork Part #:	A001099R0				
Die Line Part #:	N/A				
Desc:	OWNER'S MANUAL_KAZ Artwork,VUL575 Series				
Subject:	Owner's Manual				
Region:	USA, CANADA				
Flat Size:	MM: W 279.4 x H 203.2 IN: W 11 x H 8				
Folded Size:	MM: W 139.7 x H 203.2 IN: W 5.5 x H 8				
Scale:	1/1				
Material:	50# gloss or matte text (inside pages) Minimum 80# gloss or matte text (cover)				
Page Count:	32				
Revision:	3				
Date:	18AUG16				
Release Date:					
Re-release Date:					
Colors:					
DieLines (Do not print) Spot Colors					
Cyan 0%	Magenta 0%	Yellow 0%	Black 100%	PMS XXXX	PMS XXXX
<input type="checkbox"/>	<input type="checkbox"/>	<input type="checkbox"/>	<input checked="" type="checkbox"/>	<input type="checkbox"/>	<input type="checkbox"/>
Coating: Overall Gloss		Varnish: Spot UV			
Special Instructions:					
Quality Requirement of Artwork and Quality Clarification Process of Artwork Printing: Meet Eng-QS-06&02					
Kaz USA, Inc. Creative Services Marlborough, MA 01752, USA +1 508 490 7000					

DO NOT PRINT

For Responsible recycling, please visit:

RECYCLE  NATION
www.RecycleNation.com

© 2016 All Rights Reserved.

Manufactured by Kaz USA, Inc., a Helen of Troy Company
400 Donald Lynch Blvd., Suite 300, Marlborough, MA 01752

Imported by: Kaz Canada, Inc., 6700 Century Avenue, Suite 210, Mississauga, Ontario L5N 6A4

This product is manufactured under license from The Procter & Gamble Company.

VICKS and other associated trademarks are owned by The Procter & Gamble Company.

To contact us call 1-800-VAPOR-1-2 (1-800-827-6712) or visit our website at www.vickshumidifiers.com

© 2016 Tous droits réservés.

Fabriqué par Kaz USA, Inc., une société de Helen of Troy
400 Donald Lynch Blvd., Suite 300, Marlborough, MA 01752

Importé par : Kaz Canada, Inc., 6700 Century Avenue, Suite 210, Mississauga, Ontario L5N 6A4

Ce produit est fabriqué sous licence de la société Procter & Gamble.

VICKS et les marques de commerce connexes appartiennent à la société Procter & Gamble.

Pour nous joindre : Composez le 1 800 VAPOR 1 2 (1 800 827-6712) ou visitez notre site Web à www.vickshumidifiers.com

Para reciclar responsablemente, por favor visite:

RECYCLE  NATION
www.RecycleNation.com

© 2016 Todos los Derechos Reservados.

Fabricado por Kaz USA, Inc., a Helen of Troy Company
400 Donald Lynch Blvd., Suite 300, Marlborough, MA 01752

Importado por Kaz Canada, Inc., 6700 Century Avenue, Suite 210, Mississauga, Ontario L5N 6A4

Este producto es fabricado bajo licencia de The Procter & Gamble Company.

VICKS y otras marcas registradas asociadas son propiedad de The Procter & Gamble Company.

Contáctenos al teléfono 1-800-VAPOR-1-2 (1-800-827-6712) o al sitio web www.vickshumidifiers.com